

SS8P

SOLAR LED STREET LIGHT

THE USE OF THE POWER OF THE SUN IS A GREAT CHALLENGE. THE AUTONOMOUS LIGHTS OF THE SS FAMILY PROVIDE YOU WITH THIS FACILITY.

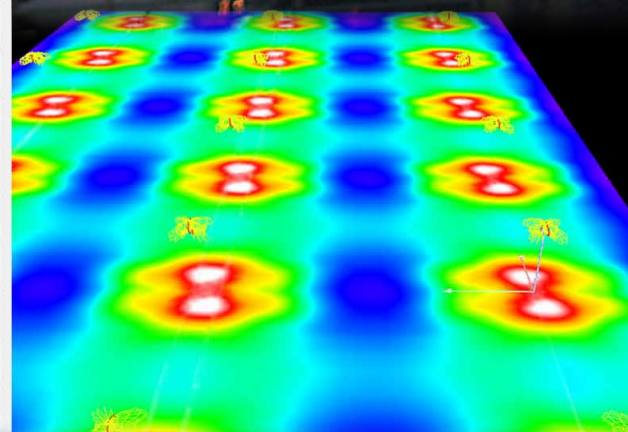
YOU MAY USE SS8P FOR LIGHTING DIFFERENT PUBLIC AND PRIVATE SITES, PARKINGS, PARKS, QUAYS, AREAS BETWEEN BUILDINGS — FREE OF TAKING CARE ABOUT THEIR MAINTENANCE.

SS8P IS AN INNOVATIVE, HIGH-TECH PRODUCT WITH A MODERN DESIGN AND UNIVERSAL APPLICATION FOR LIGHTING DIFFERENT AREAS.

False Colours

illuminances

<input type="text" value="10.00"/>	10.00 lx
<input type="text" value="8.75"/>	8.75 lx
<input type="text" value="7.50"/>	7.50 lx
<input type="text" value="6.25"/>	6.25 lx
<input type="text" value="5.00"/>	5.00 lx
<input type="text" value="3.75"/>	3.75 lx
<input type="text" value="2.50"/>	2.50 lx
<input type="text" value="1.25"/>	1.25 lx
<input type="text" value="0.00"/>	0.00 lx



SS8P

CHARACTERISTICS

- Automatic night/day on/off & economy late night dimming
- Authonomy in nominal mode 36 hours (3.1 nights)
- Authonomy in Late night dimming mode 51 hours (4.3 nights)
- Factory preset: 50 % illuminance decreasing after 4 hours till 1 h before dawn;
- User specified: illuminance decreasing 20 ÷ 90 %;
dimming start 2 ÷ 8 hours;
dimming stop 0.5 ÷ 3 h before dawn.
- Remote control available
- Operating temperature from -35° up to +70°C
- Maximum air humidity 95 %
- Protection category IP 65

LIGHT SOURCE

LED Power	15 W
Led driver Power Efficiency	96 %
Total Power	16 W
LED Light Output	160 lm/W
Current Efficiency	78 %
LED Luminous Flux	1 872 lm
Junction Temperature at Ta = 25°C	55°C
Thermal Efficiency	94 %
Lens Efficiency	92 %
Real Luminaire Efficacy (LER)	102 lm/W
Color Rendering Index (CRI)	65 ÷ 80
Real Lamp Luminous Flux for:	
Cool White (CRI = 65)	1 618 lm
Neutral White (CRI = 75)	1 502 lm
Warm White (CRI = 80)	1 270 lm
Zero Light Pollution	0 cd at 90°
Lifespan L70	160 000 h (36 years)

BATTERY

Type	Sealed maintenance free, Flame retardant, Lithium technology
Capacity	60 Ah
Nominal voltage	10 V
Charging	built in intelligent charge controller (BMS & MPPT)
Lifespan	22 years (8 000 charging cycles)

SOLAR MODUL

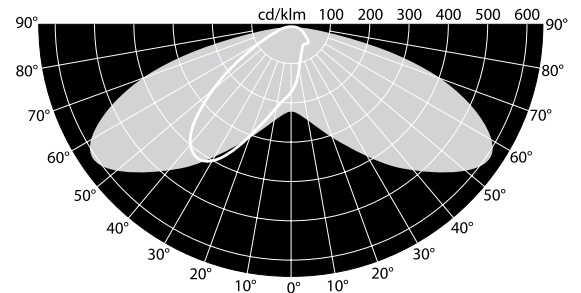
Type	Monocrystalline,
Peak power	128 Wp
Lifespan	25 years

PARAMETERS OF THE MECHANICAL CONSTRUCTION

Realization	Aluminum cast alloy + Polycarbonate UV stabilized
Height	2000 mm
Tube diameter	ø 200 mm
Diameter	ø 316 mm
Diameter of the pole at the place of fixing	from ø 76 up to ø 90 mm
Weight	31 kg

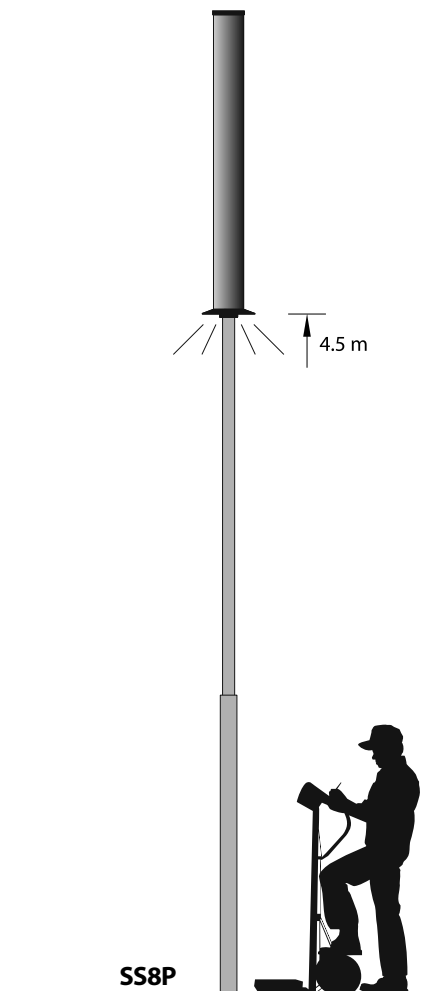
Additional deliveries

- Zink plated metal poles
- Means of fixing the pole underground / fundament



L = 16 m ; H = 4.5 m

- L – Distance between the light sources (poles)
- H – Height of the light source above the ground



C E EN61000-6-3:1997, EN61000-6-1:1997
Quality Assurance ISO 9001:2008; AQAP 2110