

# SS16A SOLAR LED STREET LIGHT

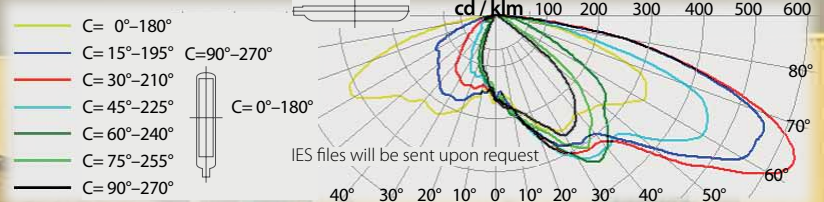
DESIGNED FOR MAINTENANCE FREE LIGHTING DIFFERENT PUBLIC AND PRIVATE SITES, PARKS, GARDENS, ALLEYS, OPEN AREAS, STREETS, ROADS, QUAYS AND OTHER AREAS.

INNOVATIVE, HIGH-TECH PRODUCT WITH A MODERN DESIGN, PROVIDING EXTREMELY EVEN LIGHTING OF THE ROAD LANE FROM A LOW HEIGHT AND LARGE DISTANCE BETWEEN THE POLES.

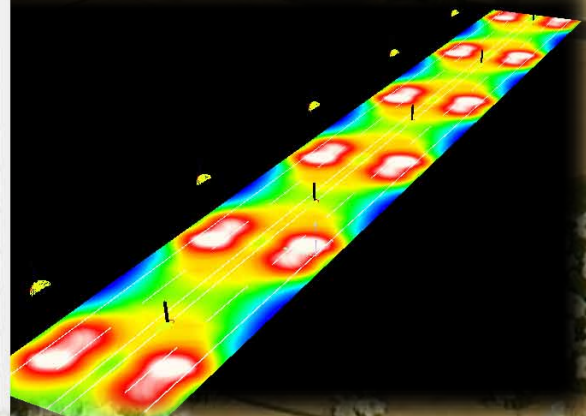
EXTREMELY LONG LIFESPAN, MAINTENANCE FREE, NO NEED OF BATTERY REPLACEMENT.

INSTALLATION FRIENDLY (UPON UNPACKING YOU NEED TO FIX THE EQUIPMENT TO THE POLE ONLY).

FACILITY FOR INTELLIGENT (MIXED) POWER SUPPLY (SOLAR PLUS CONVENTIONAL) – OPTIONAL.



False Colours	
illuminances	
<input type="checkbox"/>	12.00 lx
<input type="checkbox"/>	10.50 lx
<input type="checkbox"/>	9.00 lx
<input type="checkbox"/>	7.50 lx
<input type="checkbox"/>	6.00 lx
<input type="checkbox"/>	4.50 lx
<input type="checkbox"/>	3.00 lx
<input type="checkbox"/>	1.50 lx
<input type="checkbox"/>	0.00 lx



# SS16A

## CHARACTERISTICS

- Automatic night/day on/off & economy late night dimming
- Autonomy in nominal mode 30 hours (2.5 nights)
- Autonomy in Late night dimming mode 45 hours (3.8 nights):
  - Factory preset: 50 % illuminance decreasing after 4 hours till 1 h before dawn;
  - User specified: illuminance decreasing 20 ÷ 90 %;
  - dimming start 2 ÷ 8 hours;
  - dimming stop 0.5 ÷ 3 h before dawn.
- Remote control available
- Operating temperature from -35° up to +65°C
- Maximum air humidity 95 %
- Protection category IP 65

## LIGHT SOURCE

LED Power	34 W
Led driver Power Efficiency	97 %
Total Power	35 W
LED Light Output	160 lm/W
Current Efficiency	78 %
LED Luminous Flux	4 240 lm
Junction Temperature at Ta = 25°C	55°C
Thermal Efficiency	94 %
Lens Efficiency	92 %
Real Luminaire Efficacy (LER)	108 lm/W
Color Rendering Index (CRI)	65 ÷ 80
Real Lamp Luminous Flux for:	
Cool White (CRI = 65)	3 670 lm
Neutral White (CRI = 75)	3 406 lm
Warm White (CRI = 80)	2 880 lm
Zero Light Pollution	0 cd at 90°
Lifespan L70	160 000 h (36 years)

## BATTERY

Type	Sealed maintenance free, Flame retardant, Lithium technology
Capacity	100 Ah
Nominal voltage	13 V
Charging	built in intelligent charge controller (BMS & MPPT)
Lifespan	22 years (8 000 charging cycles)

## SOLAR MODUL

Type	Monocrystalline
Peak power	300 Wp
Lifespan	25 years

## PARAMETERS OF THE MECHANICAL CONSTRUCTION

Realization	Aluminum cast alloy + Polycarbonate UV stabilized
Height	3050 mm
Tube diameter	ø 284 mm
Diameter	ø 380 mm
Diameter of the pole at the place of fixing	from ø 108 up to ø 133 mm
Weight	67 kg

## Additional deliveries

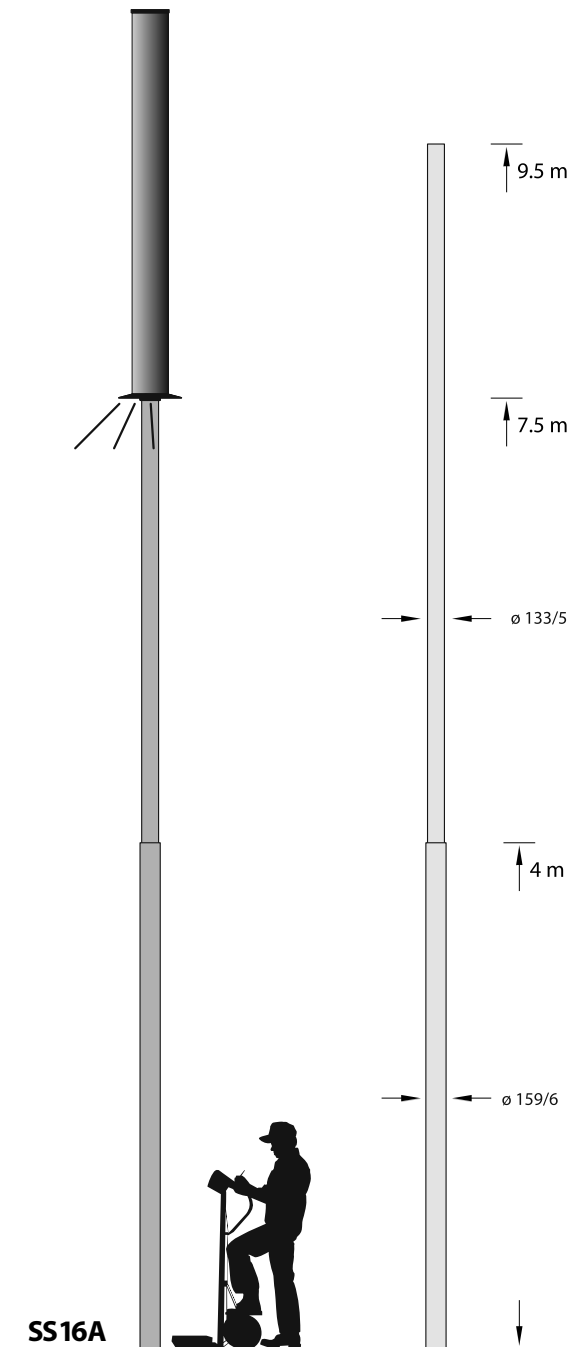
- Zink plated metal poles
- Means of fixing the pole underground / fundament

## SS16A application According EU Standards

2 lane x 3.5 m ME4a streets L = 18 m ; H = 7 m  
(more than 60 km/h)

2 lane x 3.5 m ME5 streets L = 27 m ; H = 7.5 m  
(less than 60 km/h)

L – Distance between the light sources (poles)  
H – Height of the light source above the ground



CE  
Quality Assurance

EN61000-6-3:1997, EN61000-6-1:1997  
ISO 9001:2008; AQAQ 2110