

ALOL 1

LOW INTENSITY AVIATION OBSTACLE LIGHT TYPE A

THE EQUIPMENT IS DESIGNED FOR INSTALLATION ON HIGH BUILDINGS, TOWERS, PILLARS, CHIMNEYS ETC., WHICH ACCORDING TO THE ICAO REQUIREMENTS SHOULD BE MARKED AS OBSTACLES FOR AVIATION.

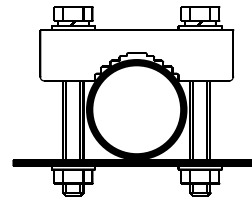
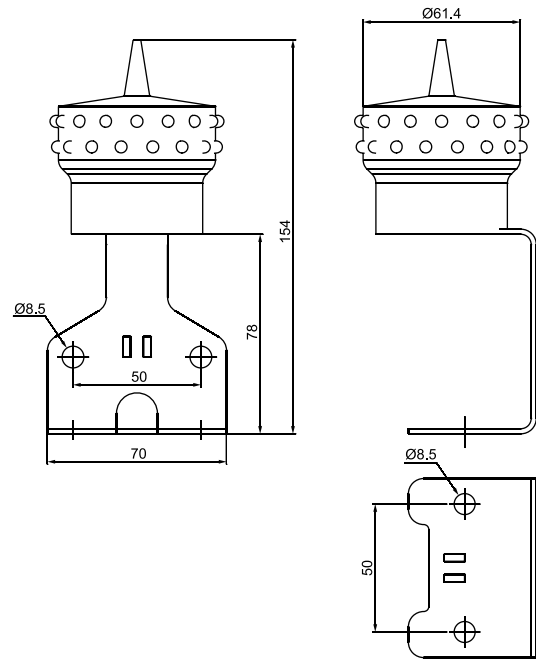


ALOL 1

Low intensity aviation obstacle light type "A"
According to ICAO requirements, Anex 14

TECHNICAL CHARACTERISTICS

Luminous Intensity:	>10 cd
Emitted light colour:	red
IP degree:	IP 66
Approx life time:	100 000 hours
Operating temperature:	- 40° C to 55° C
Voltage supply:	12 or 48 Vdc (+/- 10%)
Nominal power supply:	2,5 W
Dimensions:	H = 154 mm; W = 70 mm
Weight:	0,300 kg
Installation Mode:	built in accessories
Type of material:	stainless steel



Installation bracket
EL8.667.018 for fixing the
equipment to vertical or
horizontal tube

Ordering ALOL 1

Power supply	Installation bracket EL8.667.018	Lamp body colour
012 - 12Vdc	0 - no	0 - black (standart)
048 - 48Vdc	1 - yes	1 - red
		2 - blue
		3 - green