

# ALOL 4

## LOW INTENSITY AVIATION OBSTACLE LIGHT type „A“ according to the UK CAA CAP 168 requirements

THE EQUIPMENT IS DESIGNED FOR INSTALLATION ON HIGH BUILDINGS, TOWERS, PILLARS, CHIMNEYS ETC., WHICH ACCORDING TO THE UK CAA CAP 168 REQUIREMENTS SHOULD BE MARKED AS OBSTACLES FOR AVIATION.

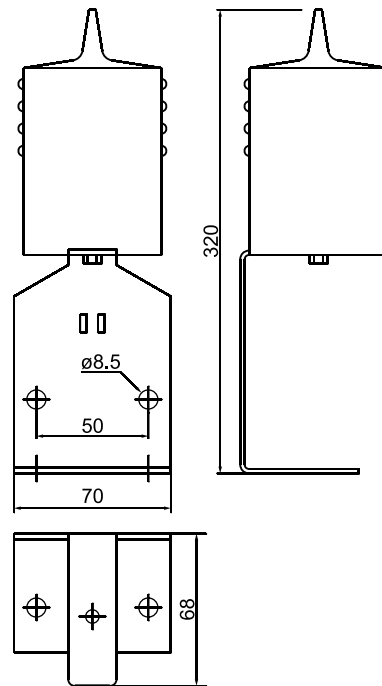


# ALOL 4

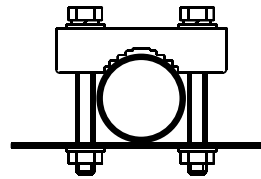
Low intensity aviation obstacle light type "A" according to the UK CAA CAP 168

## TECHNICAL CHARACTERISTICS

Luminous intensity	> 10 cd
Angle of light emission	from 0° up to 30° vertically to all directions
Emitted light colour	red
IP degree	IP 66
Approx life time	100 000 hours
Operating temperature	- 40° C to 55° C
Voltage supply	12, 24 or 48 Vdc (+/- 10%)
Nominal power supply	8 W
Dimensions	H = 112 mm W = Ø 58 mm
Weight	0,380 kg
Installation mode	by bolt M5
Accessories	additional plate of stainless steel for installation on horizontal/vertical surface or pillar



**Construction**  
ALOL and additional plate EL8.600.091 for installation



**Installation bracket**  
EL8.667.018 for fixing the equipment to vertical or horizontal tube

## Ordering ALOL 4

