

INSTALLATION CONSOLES

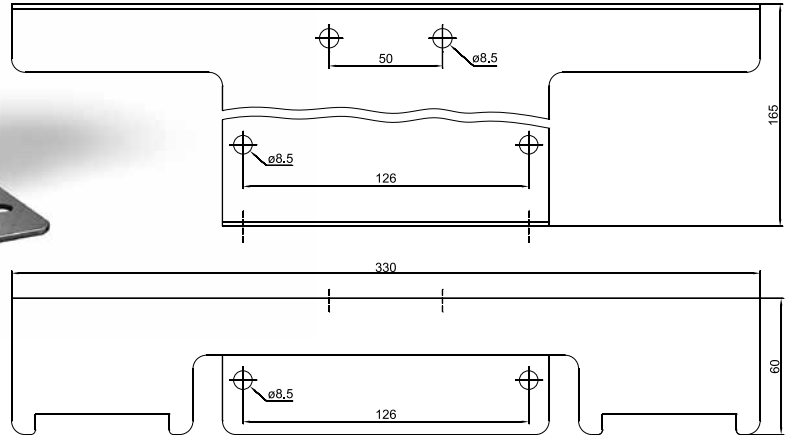
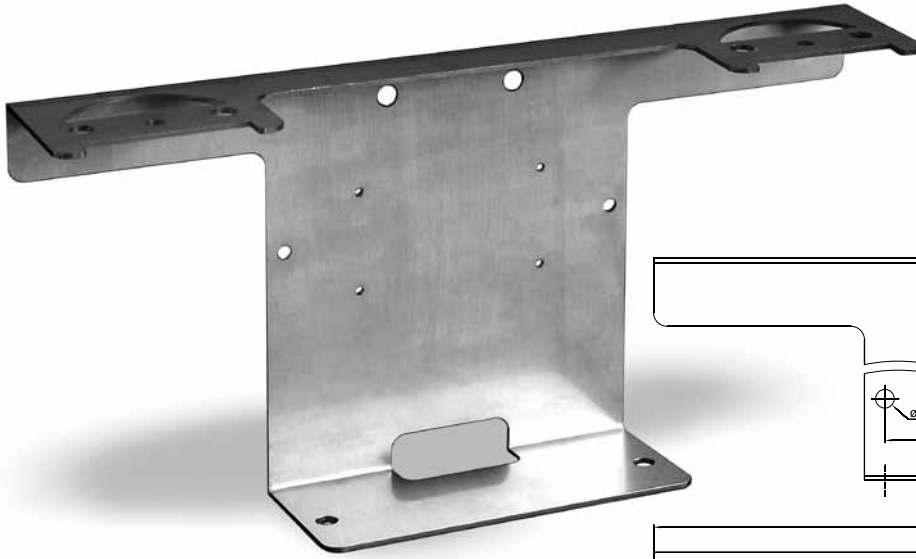
FOR ALOL TYPE SIGNALLING LIGHTS



EL8.127.072

Installation console for two ALOL – A or ALOL – B type signalling lights

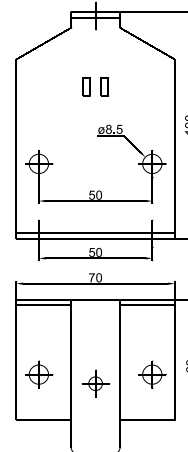
It allows the installation of a set of lights on horizontal or vertical surface. Together with the EL8.667.018 bracket ensures fixing of the light on a pipe. It is made of stainless steel.



EL8.600.091

Installation console for ALOL-B type signalling lights

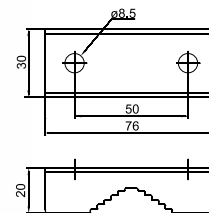
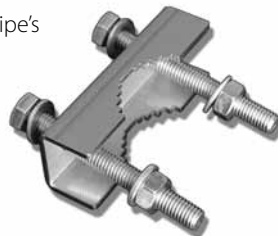
It ensures the installation of the light on horizontal or vertical surface. Together with the EL8.667.018 bracket ensures fixing of the light on a pipe. It is made of stainless steel.



EL8.667.018

Bracket together with supporting screws

It ensures fixing of EL8.600.091 and EL8.127.072 planks on a pipe. Pipe's diameter should be from 20 to 40 mm. It is made of stainless steel.



Remark: As an option there is a possibility to produce installation parts as per client's drawings .