

ALOM 1

MEDIUM INTENSITY AVIATION OBSTACLE LIGHT TYPE B AND TYPE C

THE EQUIPMENT IS DESIGNED FOR INSTALLATION ON HIGH BUILDINGS, TOWERS, PILLARS, CHIMNEYS ETC., WHICH ACCORDING TO THE ICAO AND FAA REQUIREMENTS SHOULD BE MARKED AS OBSTACLES FOR AVIATION.

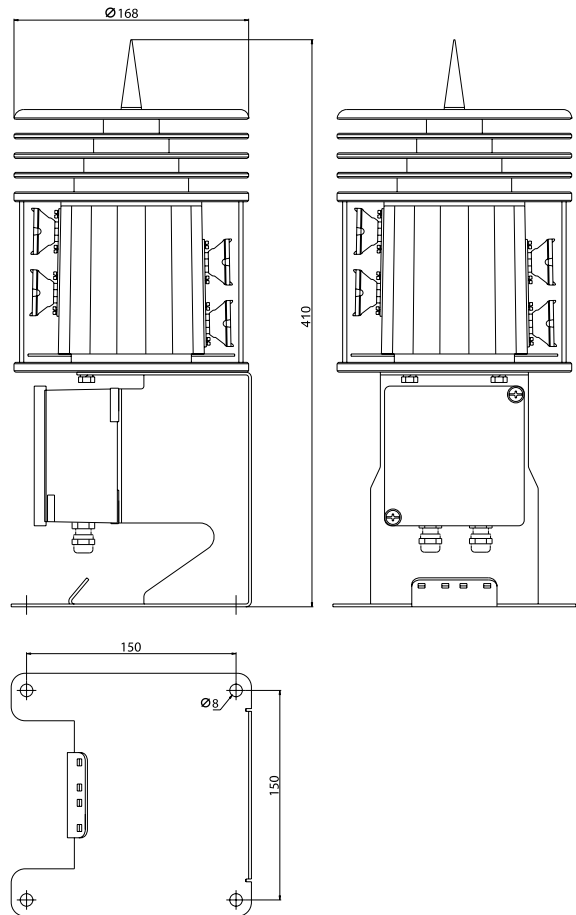


ALOM 1

Medium intensity aviation obstacle light
Type "B" and type "C" According to
ICAO requirements – Anex 14 and
FAA requirements – AC 150/5345-43E

TECHNICAL CHARACTERISTICS

Luminous intensity at elevation angle 0°	$I_0 > 1500 \text{ cd}$ (2000 cd $\pm 25\%$)
Luminous intensity at elevation angle -1°	$75\% I_0 > I_{-1} > 50\% I_0$
Luminous intensity at elevation angle -10°	$I_{-10} < 3\% I_0$
Vertical beam spread	$> 3^\circ$
Emitted light colour	red
IP degree	IP 66
Approx life time	100 000 hours
Operating temperature	-40° C to 55° C
Voltage supply	24 ÷ 48 Vdc 230 Vac
Nominal power	type B 10 W for 20 FPM 20 W for 40 FPM 30 W for 60 FPM type C 60 W
Dimensions	H = 410 mm W = \varnothing 168 mm
Weight	6.5 / 7 kg
Installation mode	by bolt M5



Ordering ALOM1



Type

C00 - steady
 B20 - flashing 20 FPM
 B40 - flashing 40 FPM
 B60 - flashing 60 FPM

Power supply

0 - 24÷48 Vdc
 1 - 230 Vac