

SAM1



MEDIUM INTENSITY AVIATION OBSTACLE LIGHT TYPE "B" SOLAR POWERED

THE EQUIPMENT IS DESIGNED FOR INSTALLATION ON HIGH BUILDINGS, TOWERS, PILLARS, CHIMNEYS ETC., WHICH ACCORDING TO THE ICAO AND FAA REQUIREMENTS SHOULD BE MARKED AS OBSTACLES FOR AVIATION.

INSTALLATION FRIENDLY (UPON UNPACKING YOU NEED TO FIX THE EQUIPMENT TO THE POLE ONLY).

FACILITY OF FIXING THE ANGLE OF THE SOLAR PANEL ACCORDING TO THE DIFFERENT LATITUDES OF THE SITE.

FACILITIES FOR INSTALLATION ON DIFFERENT TYPES OF POLES INCLUDING EXISTING ONES NOT BEING INFLUENCED BY THEIR HEIGHT.



SAM1

Medium intensity aviation obstacle light type "B" solar powered according to ICAO requirements – Anex 14 and FAA requirements – AC 150/5345-43E

TECHNICAL CHARACTERISTICS

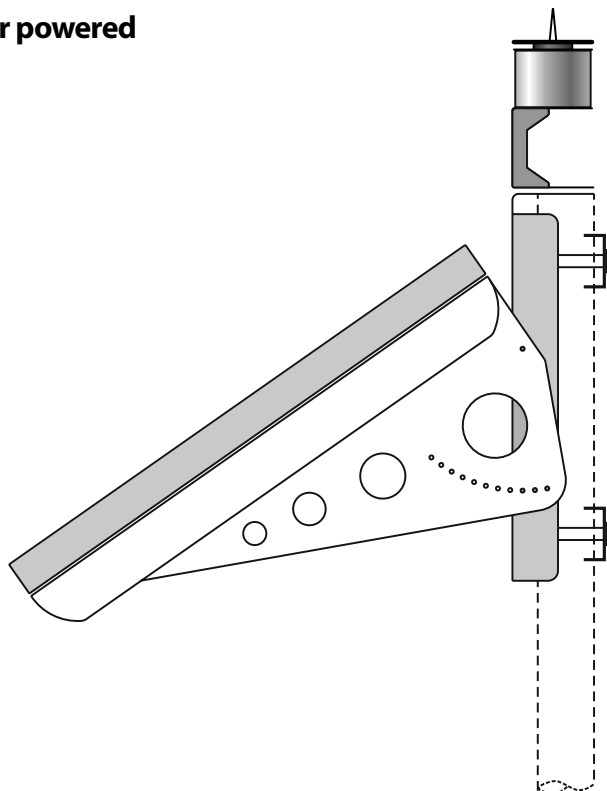
- Autonomy 11 nights.
- Automatic switch "on" the lamp when it is dark.

LIGHT SOURCES

| | | |
|---------------------|------|---|
| Luminous intensity | 0° | $I_0 > 1500 \text{ cd}$ (2000 cd $\pm 25\%$) |
| at elevation angle: | -1° | $75\% I_0 > I_{-1} > 50\% I_0$ |
| | -10° | $I_{-10} < 3\% I_0$ |

| | |
|-----------------------|-----------------|
| Vertical beam spread | $> 3^\circ$ |
| Emitted light colour | red |
| IP degree | IP 66 |
| Approx life time | 100 000 hours |
| Operating temperature | -40° C to 60° C |
| Nominal power | 10 W for 20 FPM |

Option: Can be mounted separately. Please contact factory for cable length.



BATTERY

| | |
|-----------------|---|
| Type | Sealed maintenance free, Flame retardant, Lithium technology |
| Capacity | 100 Ah |
| Nominal voltage | 13 V |
| Charging | built in intelligent charge controller (BMS & MPPT) |
| Lifespan | 22 years (8 000 charging cycles) |

SOLAR MODULE

| | |
|------------|---|
| Type | Monocrystalline, Advanced EVA encapsulation system with triple-layer back sheet |
| Peak power | 90 Wp |
| Lifespan | 25 years |

PARAMETERS OF THE MECHANICAL CONSTRUCTION

| | |
|--|--|
| Realization | Monoblock structure Aluminum cast alloy + stainless steel |
| Dimensions (folded) | 1200 x 650 x 300 mm |
| Diameter of the pole at the place of fixing | from $\varnothing 70$ up to $\varnothing 200$ mm |
| Weight | 35 kg |