



ESPI LED INFRARED FLOODLIGHT for outdoor security perimeters

AC OR DC POWERED

HERMETIC

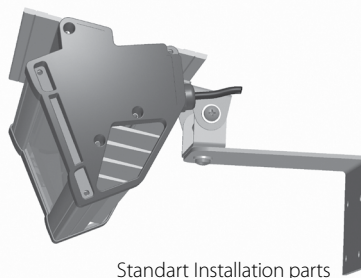
ESPI

- HIGH ENERGY EFFICIENCY
- NO MAINTENANCE COSTS
- LONG LIFECYCLE
- HIGH QUALITY AREA ILLUMINATION

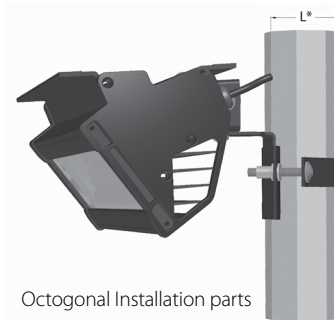
ESPI

Purpose

- The ESPI floodlight have been designed for infrared lighting of outdoor security perimeters.
- ESPI12dc can be connected to any system powered from 12V batteries or directly to a 12V power source.



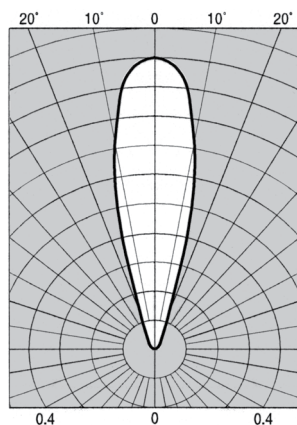
Standart Installation parts



Octogonal Installation parts

SPECIFICATIONS

| | ESPI12dc30 | ESPI12dc45 | ESPI30 | ESPI50 |
|---|---|-------------------------|-------------------------|-------------------------|
| AC Input Voltage | | | | 90 ÷ 305 V AC |
| DC Input Voltage | | 12 V DC (10.5÷16 V) | | 127 ÷ 431 V DC |
| LED Power | 29 W | 42 W | 29 W | 45 W |
| Power Efficiency | 94 % | 95 % | 87 % | 89 % |
| Total Power | 31 W | 44 W | 33 W | 51 W |
| Centroid wavelength | | | | 850 nm |
| Spectral bandwith | | | | 30 nm |
| Junction Temperature | | | | 75° C |
| IR Light Distribution Angle | | | | 30° |
| Distance with the camera sensitivity 0.003 lx sensitivity 0.08 lx | 100 meters 50 meters | 120 meters 60 meters | 100 meters 50 meters | 120 meters 60 meters |
| Operating Temperature | | | | -40°÷ +55° C |
| Operating Humidity | | | | 10 ÷ 95% RH |
| Lifespan L70 | | | | > 50 000 h |
| Ingress protection rating | | | | IP 66 |
| Body | Marine Grade Anodized Aluminium Alloy, Stainless steel and coloured UV protected polycarbonate | | | |
| Optical cover | glass tempered / PMMA / PC | | | |
| Built in protection agains | high voltage or reverced (wrong) connection | | | |
| Built in sensor for automatic "ON/OFF" switching (with anti-head light function) | | | | option |
| Dimensions (without installation part) | 275x110x110 mm | 424x110x110 mm | 275x110x110 mm | 424x110x110 mm |
| Weight | 1.8 kg | 2 kg | 2.1 kg | 2.3 kg |



ORDERING ESPI

