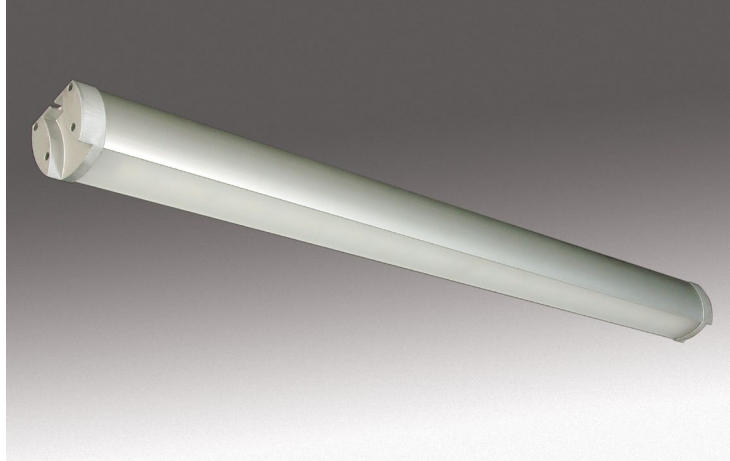


IT INDUSTRIAL LED LUMINAIRES

- WORLDWIDE POWERED
- ACTIVE POWER FACTOR CORRECTION (PFC)
- HIGH ENERGY EFFICIENCY
- NO MAINTENANCE COSTS
- LONG LIFECYCLE
- HIGH QUALITY AREA ILLUMINATION
- ERGONOMICAL – CLOSE TO NATURAL LIGHT
- ECOLOGICAL – MERCURY AND LEAD FREE



IT11, IT18, IT17 IT30, IT45, IT60

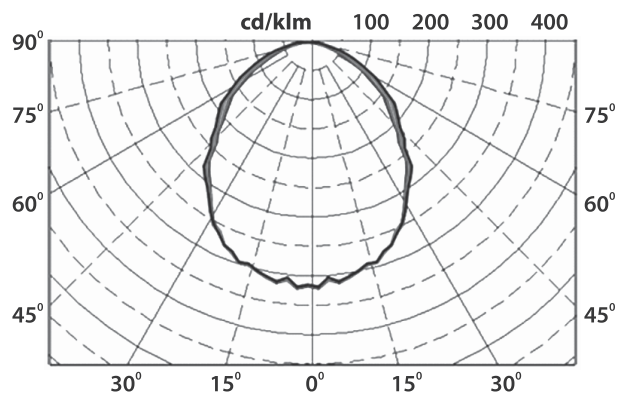


APPLICATION

The LED luminaires of the IT series have been designed to illuminate indoor premises of different kinds: underground parking areas, garages, different commercial areas, warehouses etc.

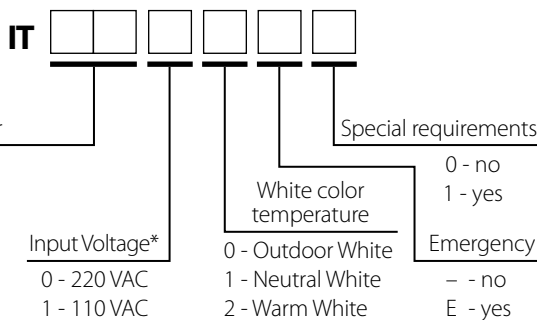
SPECIFICATIONS

	IT11	IT18	IT17	IT30	IT45	IT60
AC Input Voltage	180 ÷ 264 V AC or 90 ÷ 132 V AC			90 ÷ 305 V AC		
DC Input Voltage	254 ÷ 370 V DC or 127 ÷ 186 V DC			127 ÷ 431 V DC		
Mains Frequency	47 ÷ 63 Hz					
LED Power	8.2 W	14.4 W	13.6 W	27.3 W	42.7 W	57 W
Power Efficiency	78 %	83 %	83 %	91 %	91 %	91 %
Total Power	10.5 W	17.4 W	16.4 W	30 W	47 W	62.8 W
LED Luminous Flux	990 lm	1947 lm	2222 lm	3320 lm	5025 lm	6700 lm
Junction Temperature	70°C	70°C	60°C	70°C	70°C	70°C
Optical Cover Efficiency	79 %					
Real Luminaire Efficacy (LER)	81 lm/W	89 lm/W	108 lm/W	87 lm/W	84 lm/W	84 lm/W
Real Lamp Luminous Flux for:						
Outdoor White (4000 ÷ 6200 K)	789 lm	1553 lm	1775 lm	2623 lm	3982 lm	5310 lm
Neutral White (3700 ÷ 5000 K)	693 lm	1364 lm	1559 lm	2453 lm	3372 lm	4966 lm
Warm White (2600 ÷ 4300 K)	607 lm	1195 lm	1366 lm	2149 lm	2954 lm	4351 lm
Color Rendering Index for:	Outdoor White		CRI – 70 typical			
Neutral White			CRI > 70			
Warm White			CRI > 80			
Operating Temperature	- 20° ÷ +55°C					
Operating Humidity	10 ÷ 95 % RH					
Lifespan L70	> 120 000 h					
Ingress protection rating	IP 64					
Electrical Safety Class	class II					
Optical cover	matt PMMA					
Dimensions L	350 mm	570 mm	890 mm	430 mm	630 mm	825 mm
H/W	67 / 58 mm					
Weight	0.7 kg	1 kg	1.4 kg	1.2 kg	1.5 kg	1.7 kg
Emergency	3 hours; 320 lm					



Eulumdat (.ldt) files will be send upon request

ORDERING



* Valid for IT11, IT17 and IT18 only.