

CA4



LOW INTENSITY AVIATION OBSTACLE LIGHTS

- type B according to the UK CAA CAP168 requirements
- built in controller
- DC or AC power supply

THE EQUIPMENT IS DESIGNED FOR INSTALLATION ON HIGH BUILDINGS, TOWERS, PILLARS, CHIMNEYS ETC., WHICH SHOULD BE MARKED AS OBSTACLES FOR AVIATION, ACCORDING TO THE UK CAA CAP168 REQUIREMENTS.

2 IN 1

CA4 IS AN INOVATIVE PRODUCT, HAVING UNIQUE COMPACT CONSTRUCTION, IN WHICH THE MAIN AND THE STAND BY LAMPS ARE CAST IN A COMMON BODY, OPERATING AND BEING CONTROLLED INDIVIDUALLY. SHADOWING OF A SECTOR OF THE CIRCULAR LIGHTING DIAGRAM, CAUSED BY THE STAND BY LAMP IN CONSTRUCTIONS WITH A SEPARATE ONE HAS BEEN AVOIDED. AT SPECIAL ORDER IT IS POSSIBLE TO OPERATE AS A SINGLE LAMP (NO STAND BY MODE OPERATION).

THE USE OF CA4 LEADS TO REDUCING THE FINANCIAL EXPENSES OF THE PROJECTS.



CA4

FEATURES

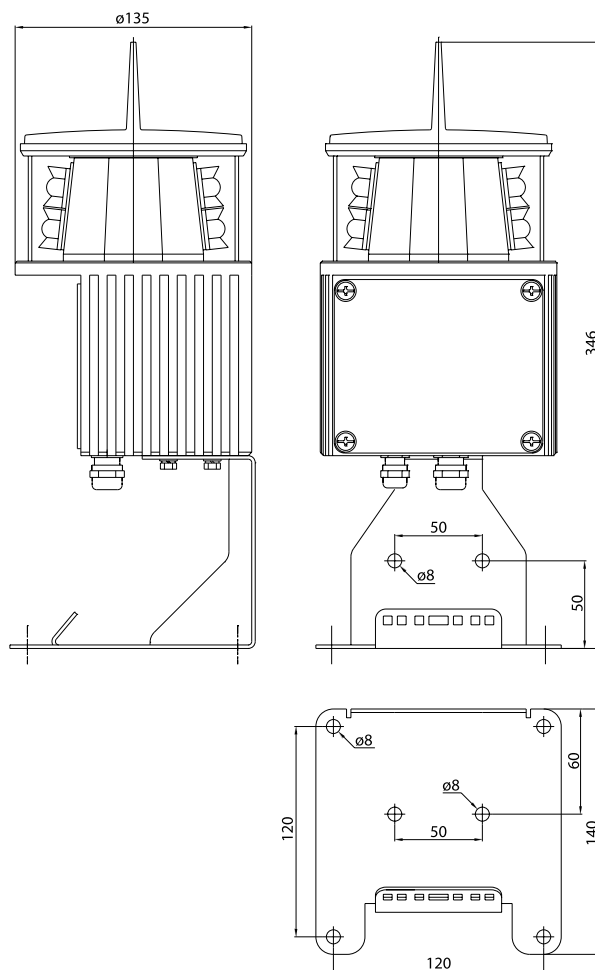
- Automatically switching on the lamp when it is dark.
- Automatic switching on of stand-by lamp during automatic switching main / stand by lamp aiming increasing reliability and lifetime.
- Producing alarm signals.

TECHNICAL CHARACTERISTICS

Number of lamps	2 (main lamp and stand-by lamp in a housing)
Luminous intensity	≥50 cd for 0 ÷ 5 deg ≥200 cd for 5 ÷ 8 deg ≥50 cd for 8 ÷ 15 deg
Power consumption	16 W
Light source	LED
Emitted light colour	red
Approx life time	100 000 hours
Control mode	Intelligent controller
Switch ON	30' before sunset
Switch OFF	30' after sunrise
Output for alarms	relay contact
Alarm	in case of failure of the main or the stand-by lamp in case of failure of the power supply in case of failure of the photosensor
Power supply	12, 24 or 48 Vdc 85 ÷ 265 Vac; 50/60 Hz
Operating temperature:	-50° C to 55° C
Overall dimensions:	140 x 140 x 346 mm
Weight	3.7 kg
IP degree	IP66

Mechanical construction

Type of material	UV protected polycarbonat, Stainless steel and Aluminium alloy
Installation Mode	horizontal, vertical, on pillar from ø20 mm up to ø40 mm



ORDERING CA4

