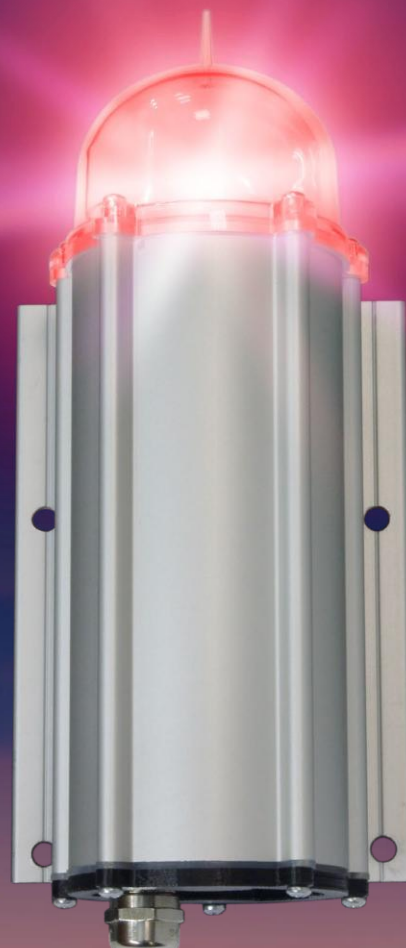


ALOL5, ALOL6



LOW INTENSITY AVIATION OBSTACLE LIGHT type „A” and type „B”

THE EQUIPMENT IS DESIGNED FOR INSTALLATION ON HIGH BUILDINGS, TOWERS, PILLARS, CHIMNEYS ETC., WHICH ACCORDING TO THE ICAO REQUIREMENTS SHOULD BE MARKED AS OBSTACLES FOR AVIATION.

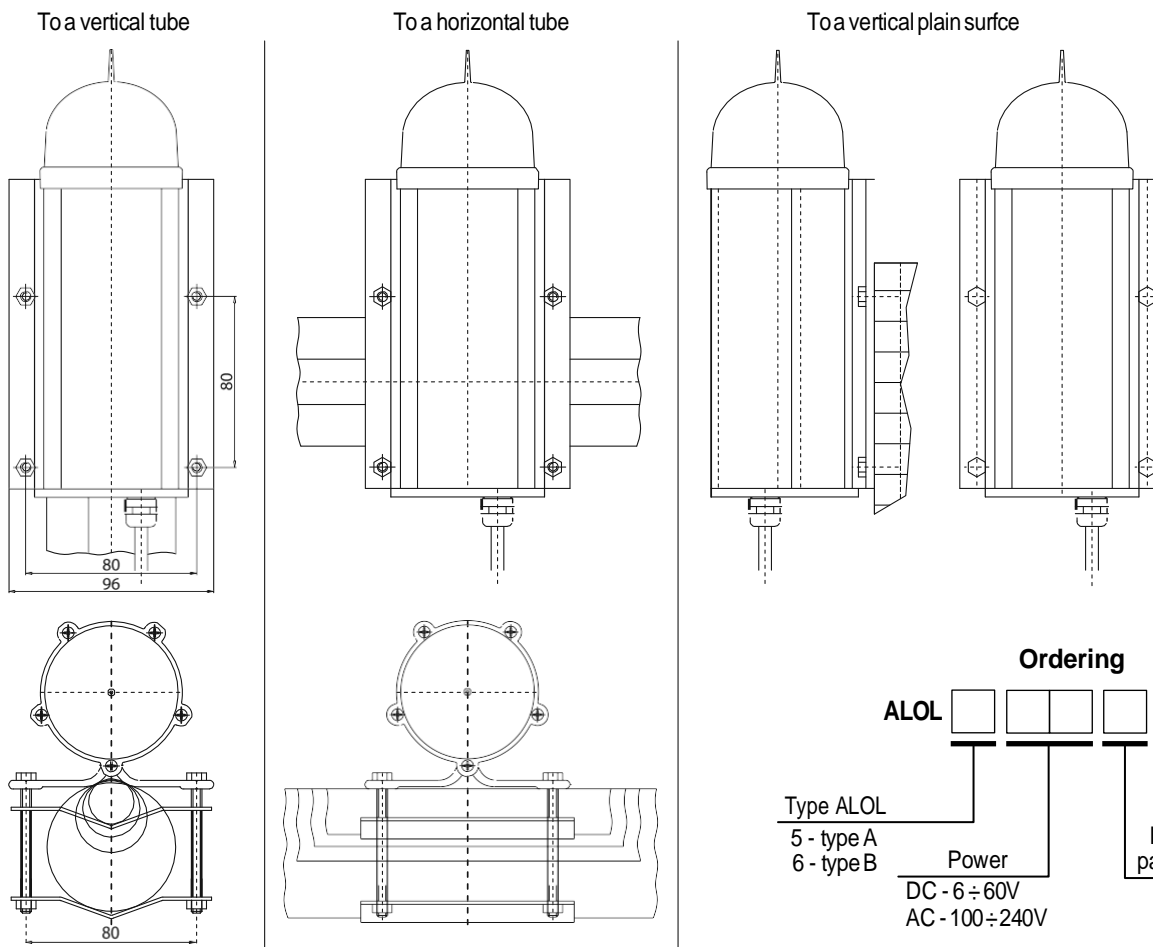


ALOL5, ALOL6

ALOL5 low intensity aviation obstacle light type "A" and
ALOL6 low intensity aviation obstacle light type "B"
as per ICAO requirements – Anex 14

TECHNICAL CHARACTERISTICS	ALOL5	ALOL6
Luminous intensity	> 10 cd	> 32 cd
Emitted light colour	red	
IP degree	IP67	
Approx life time	160 000 hours	100 000 hours
Operating temperature	- 40°C to 55°C	
Voltage supply	DC: 6 ÷ 60V AC: 100 ÷ 240V	
Nominal power	1 W	2.5W
Dimensions H x W	220 x 96 x 76 mm	
Weight	0.5 kg	
Installation parts for tube	ø 1/2" ÷ 2" [21.3 ÷ 60.3 mm]	
Installation parts material	stainless steel	

Method of fixing:



Ordering

